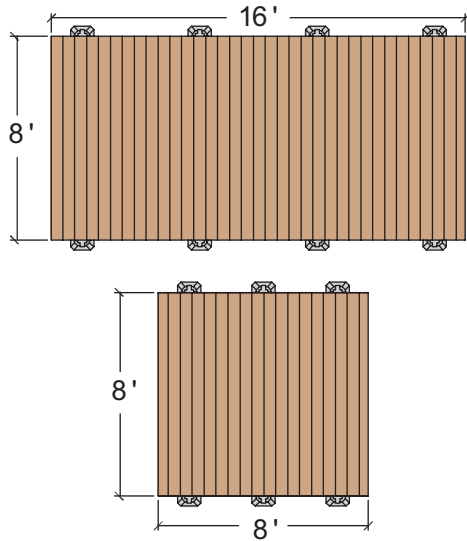


Deck System

Creating an T-Shaped Deck

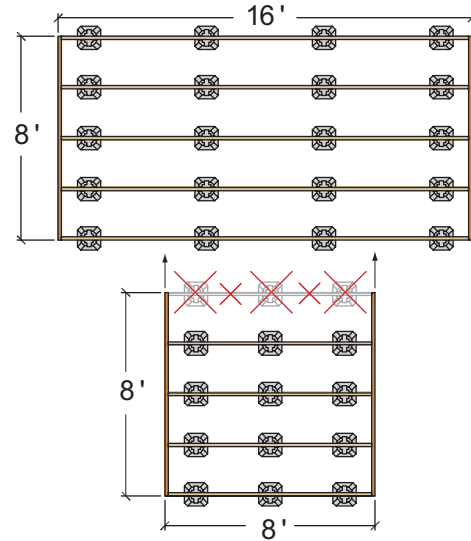
STEP 1

Typical deck construction showing both deck layouts.



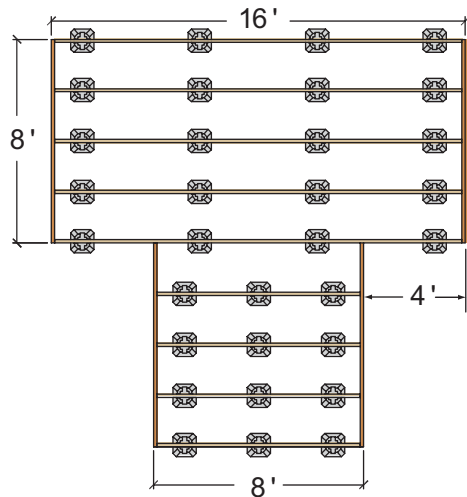
STEP 2

Eliminate one row of blocks and one support board from the smaller deck layout.



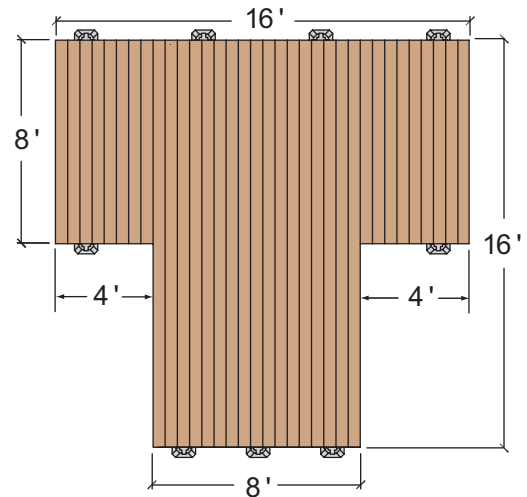
STEP 3

Attach the two end boards of the smaller deck to the support board of the larger deck. Use two deck screws or galv. brackets for the attachment.



STEP 4

Completed T-Shaped deck using continuous decking over the connection of the two sections.



Shop Today

Build on Saturday

Enjoy on Sunday

These plans are intended for consumer use only. Copyright 2000 Proshop Plans Co. They may not be reproduced, copied, distributed or disseminated without the written permission of DEKBRANDS. DEKBRANDS and Dek-Block are trademarks of Proshop Plans Co., Inc. U.S. Patent 5,392,575, 5,953,874, 6,324,801B1, 6,446,403B2, 6,550,201B2, and 6,609,346B2 Pat. Pend/App. Pend. Manufactured under license.



WWW.**DECKPLANS**.COM
Hundreds of Free Plans, tips, and Ideas Available Online

Live Technical Support:
7 days a week - 5:00am to 9:00pm CST
1-800-664-2705